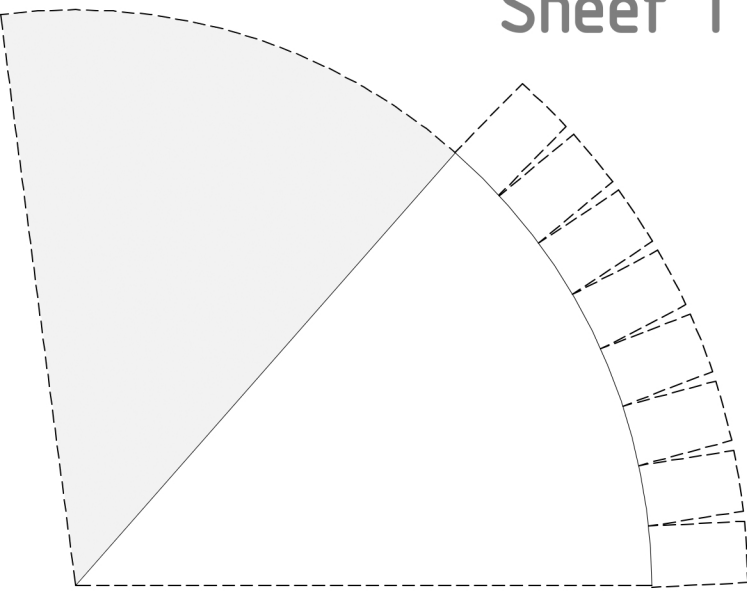


Sheet 1

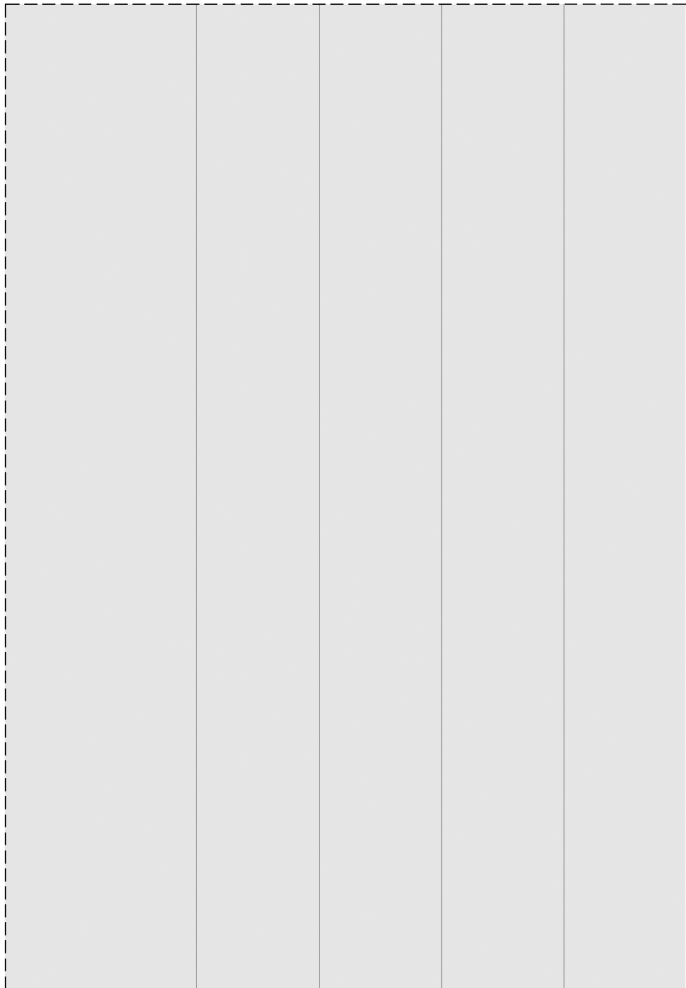
STABILIZER FINS



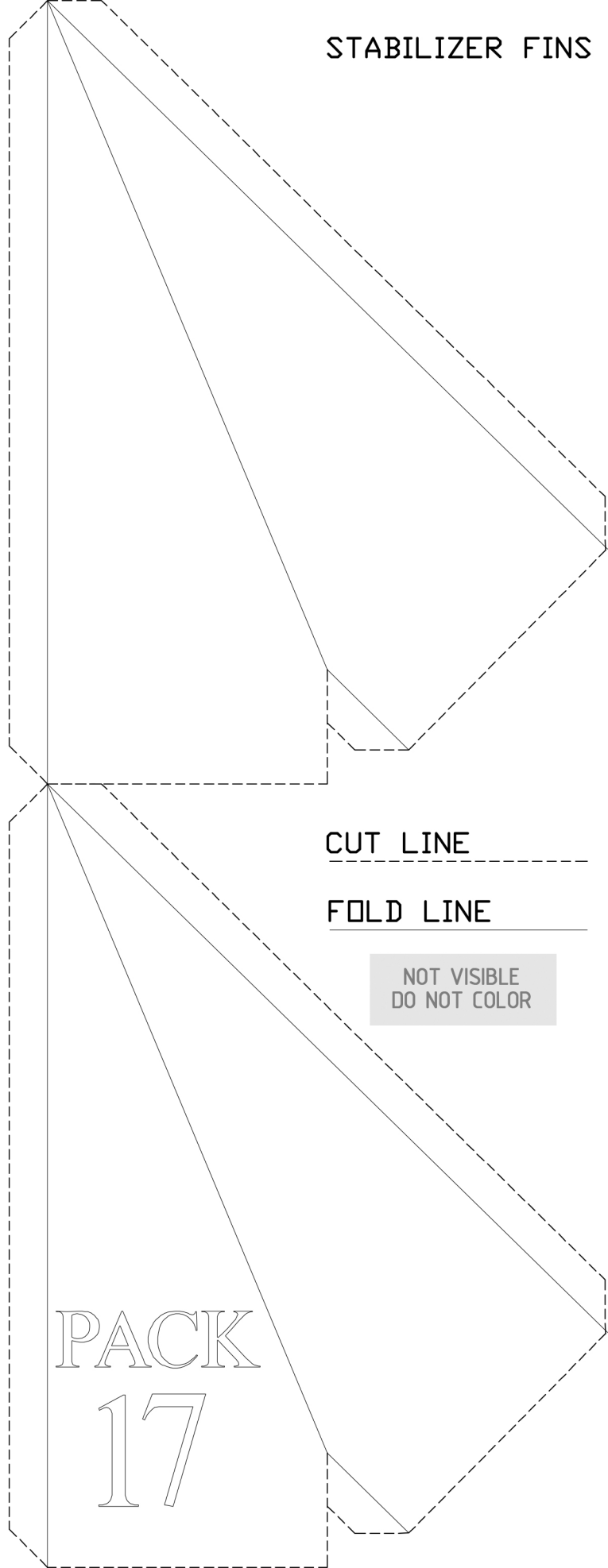
NOSECONE



NOSECONE SLEEVE



FIN SUPPORT SLEEVE



CUT LINE

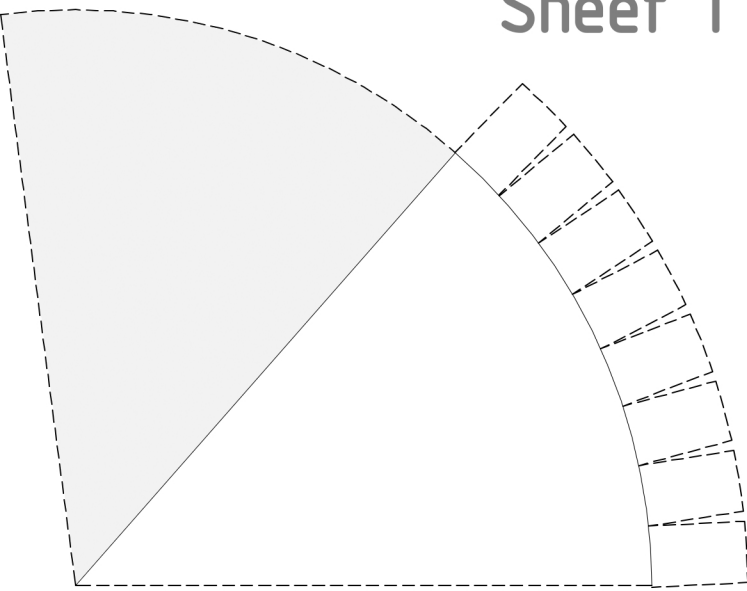
FOLD LINE

NOT VISIBLE
DO NOT COLOR

PACK
17

Sheet 1

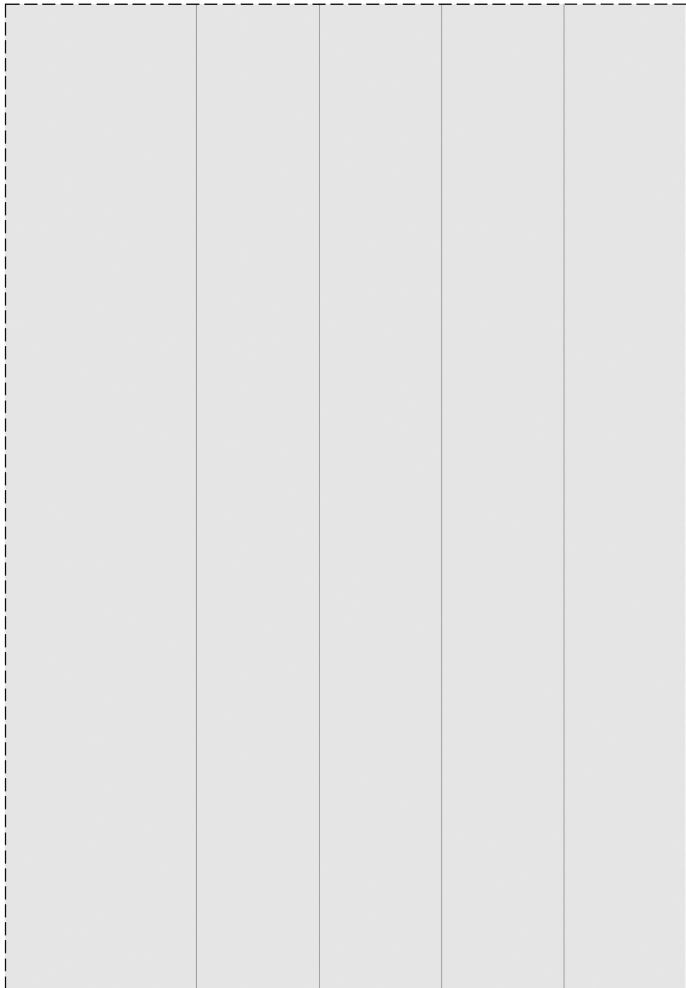
STABILIZER FINS



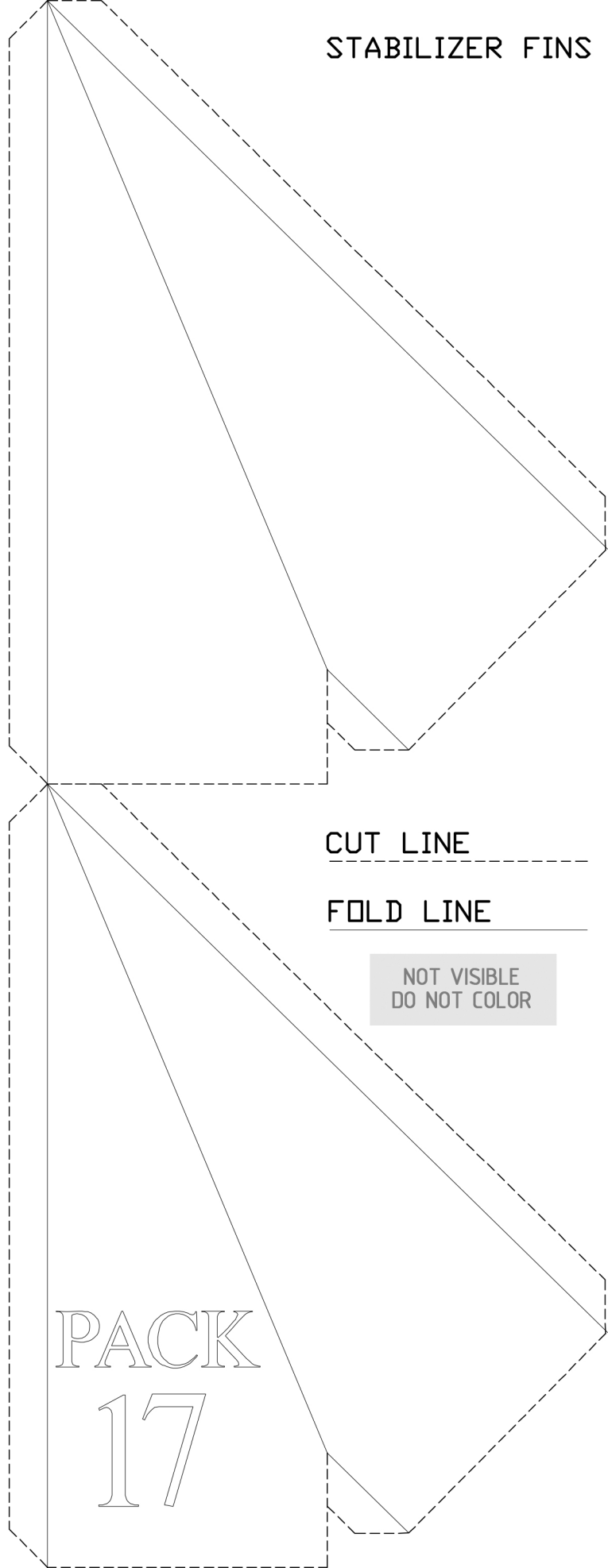
NOSECONE



NOSECONE SLEEVE



FIN SUPPORT SLEEVE



CUT LINE

FOLD LINE

NOT VISIBLE
DO NOT COLOR

PACK
17

Sheet 2

STABILIZER FINS

CUT LINE

FOLD LINE

Sheet 2

STABILIZER FINS

CUT LINE

FOLD LINE

CUT LINE

FOLD LINE

